



LED MR16

7.8MR16/PER/930/F25/Dim/EC/12V 10/1FB

Philips LED MR-16 lamps with single optic technology provide the look and color quality of traditional halogens while using a fraction of the energy. A perfect fit for spot lighting, they are compatible with most existing fixtures with MR16 GU5.3 holders and are designed as a retrofit replacement for halogen or incandescent spots.

Product data

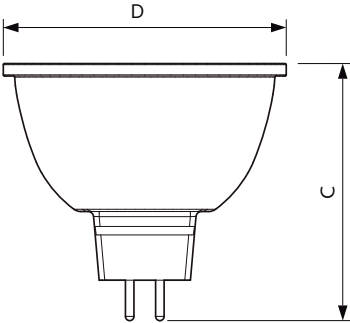
| General Information | |
|---------------------------------------|---------------------|
| Base | GU5.3 [GU5.3] |
| Nominal Lifetime (Nom) | 25000 h |
| Switching Cycle | 50000X |
| Technical Type | 7.8-50W |
| Light Technical | |
| Color Code | 930 [CCT of 3000K] |
| Beam Angle (Nom) | 25 ° |
| Initial lumen (Nom) | 480 lm |
| Luminous Flux (Rated) (Nom) | 480 lm |
| Luminous Intensity (Nom) | 2330 cd |
| Color Designation | White (WH) |
| Rated Beam Angle | 25 ° |
| Correlated Color Temperature (Nom) | 3000 K |
| Luminous Efficacy (rated) (Nom) | 61.00 lm/W |
| Color Consistency | <3 |
| Color Rendering Index (Nom) | 95 |
| LLMF At End Of Nominal Lifetime (Nom) | 70 % |
| Operating and Electrical | |
| Power (Rated) (Nom) | 7.8 W |

| Lamp Current (Nom) | 880 mA |
|---------------------------------|---------------------------------------|
| Wattage Equivalent | 50 W |
| Starting Time (Nom) | 0.5 s |
| Warm Up Time to 60% Light (Nom) | 0.5 s |
| Power Factor (Nom) | 0.7 |
| Voltage (Nom) | ac electronic 12 V |
| Temperature | |
| T-Case Maximum (Nom) | 105 °C |
| Controls and Dimming | |
| Dimmable | Yes |
| Approval and Application | |
| Suitable For Accent Lighting | Yes |
| Product Data | |
| Order product name | 7.8MR16/PER/930/F25/Dim/EC/12V 10/1FB |
| EAN/UPC - Product | 046677470173 |
| Order code | 470179 |
| Numerator - Quantity Per Pack | 1 |
| Numerator - Packs per outer box | 10 |

LED MR16

| | |
|---------------------|--------------|
| Material Nr. (12NC) | 929001872904 |
| Net Weight (Piece) | 0.056 kg |

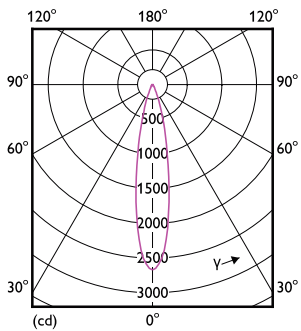
Dimensional drawing



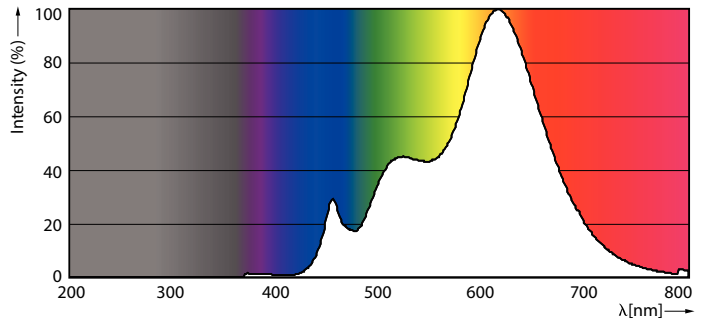
MR16 12V 7.5-50W 480lm 25D 3000K GU5.3 D

| Product | D | C |
|---------------------------------------|-------|-------|
| 7.8MR16/PER/930/F25/Dim/EC/12V 10/1FB | 51 mm | 46 mm |

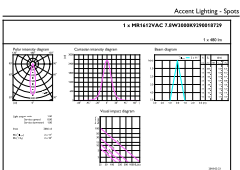
Photometric data



LEDspot 7.8W GU5.3 MR16 927 25D DIM



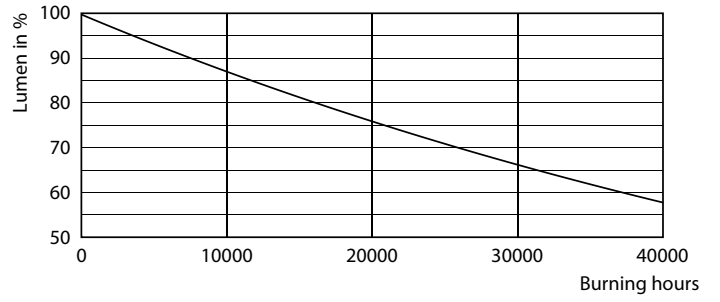
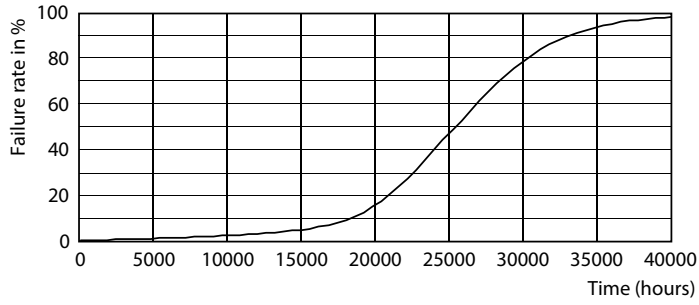
LEDspot 7.8W GU5.3 MR16 930 10D DIM



LEDspot 7.8W GU5.3 MR16 930 25D DIM

LED MR16

Lifetime



LEDspot 7.8W GU5.3 MR16 927 10D DIM

LEDspot 7.8W GU5.3 MR16 927 10D DIM

