



# LED MR16

## 7.8MR16/PER/940/F25/Dim/EC/12V 10/1FB

Philips LED MR-16 lamps with single optic technology provide the look and color quality of traditional halogens while using a fraction of the energy. A perfect fit for spot lighting, they are compatible with most existing fixtures with MR16 GU5.3 holders and are designed as a retrofit replacement for halogen or incandescent spots.

### Product data

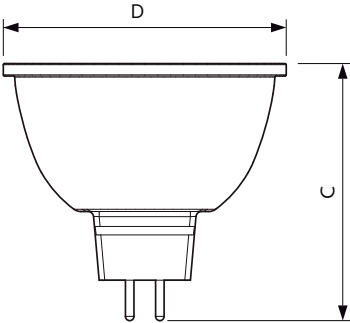
General Information	
Base	GU5.3 [ GU5.3]
Nominal Lifetime (Nom)	25000 h
Switching Cycle	50000X
Technical Type	7.8-50W
Light Technical	
Color Code	940 [ CCT of 4000K]
Beam Angle (Nom)	25 °
Initial lumen (Nom)	540 lm
Luminous Flux (Rated) (Nom)	540 lm
Luminous Intensity (Nom)	2600 cd
Color Designation	Cool White (CW)
Rated Beam Angle	25 °
Correlated Color Temperature (Nom)	4000 K
Luminous Efficacy (rated) (Nom)	69.00 lm/W
Color Consistency	<3
Color Rendering Index (Nom)	95
LLMF At End Of Nominal Lifetime (Nom)	70 %
Operating and Electrical	
Power (Rated) (Nom)	7.8 W

Lamp Current (Nom)	880 mA
Wattage Equivalent	50 W
Starting Time (Nom)	0.5 s
Warm Up Time to 60% Light (Nom)	0.5 s
Power Factor (Nom)	0.7
Voltage (Nom)	ac electronic 12 V
Temperature	
T-Case Maximum (Nom)	105 °C
Controls and Dimming	
Dimmable	Yes
Approval and Application	
Suitable For Accent Lighting	Yes
Product Data	
Order product name	7.8MR16/PER/940/F25/Dim/EC/12V 10/1FB
EAN/UPC - Product	046677470180
Order code	470187
Numerator - Quantity Per Pack	1
Numerator - Packs per outer box	10

# LED MR16

Material Nr. (12NC)	929001873004
Net Weight (Piece)	0.056 kg

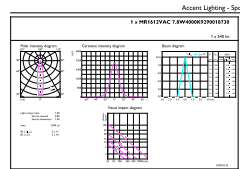
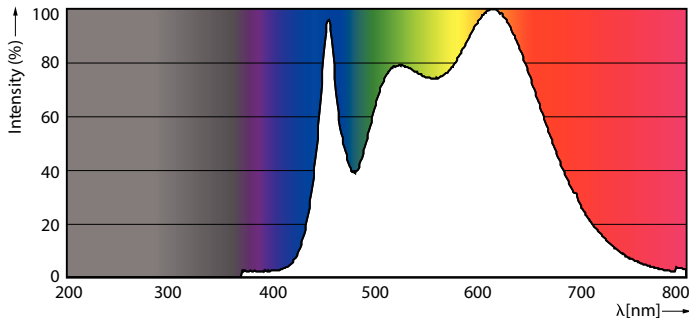
## Dimensional drawing



MR16 12V 7.5-50W 490lm 25D 4000K GU5.3 D

Product	D	C
7.8MR16/PER/940/F25/Dim/EC/12V 10/1FB	51 mm	46 mm

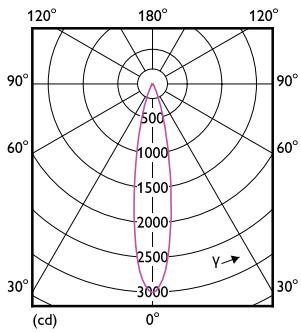
## Photometric data



GU5.3 Photometrics 1.3 Philips Lighting B.V. Page 1/1

LEDspot 7.8W GU5.3 MR16 940 10D DIM

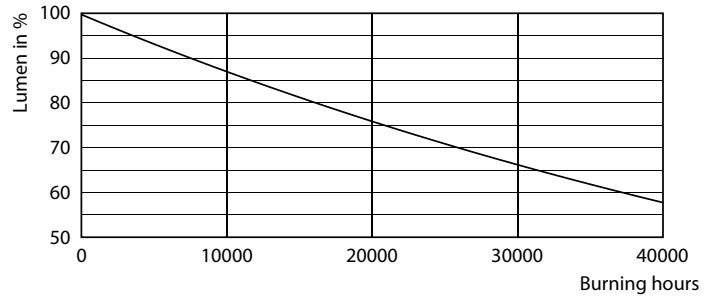
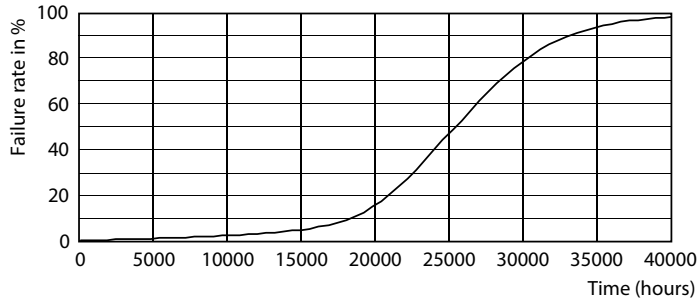
LEDspot 7.8W GU5.3 MR16 940 25D DIM



LEDspot 7.8W GU5.3 MR16 940 25D DIM

# LED MR16

## Lifetime



LEDspot 7.8W GU5.3 MR16 927 10D DIM

LEDspot 7.8W GU5.3 MR16 927 10D DIM

