



Essential LEDspot MR16

ESS LED MR16 4.5-50W 36D 830 SO 100-240V

Essential LEDspots MR16 are compatible with most existing fixtures with a GU5.3 socket and are designed as a retrofit replacement for halogen spots. Essential LEDspots MR16 deliver significant energy savings and minimize initial investment.

Product data

| General Information | |
|---------------------|----------------|
| Cap-Base | GU5.3 |
| Nominal lifetime | 15,000 hour(s) |
| Switching Cycle | 50,000 |
| Lighting Technology | LED |
| EU RoHS compliant | Yes |

| Light Technical | |
|---------------------------------------|--------------------|
| Color Code | 830 [CCT of 3000K] |
| Beam Angle (Nom) | 36 degree(s) |
| Luminous Flux | 400 lm |
| Luminous Intensity (Nom) | 700 cd |
| Color Designation | White (WH) |
| Correlated Color Temperature (Nom) | 3000 K |
| Luminous Efficacy (rated) (Nom) | 88.00 lm/W |
| Color Consistency | <6 |
| Color rendering index (CRI) | 80 |
| LLMF At End Of Nominal Lifetime (Nom) | 70 % |

| Operating and Electrical | |
|--------------------------|-------------|
| Line Frequency | 50 to 60 Hz |

| | |
|---------------------------|-------------|
| Input Frequency | 50 to 60 Hz |
| Power Consumption | 4.5 W |
| Wattage Equivalent | 50 W |
| Starting Time (Nom) | 0.5 s |
| Warm-up time to 60% light | 0.5 s |
| Power Factor (Fraction) | 0.4 |
| Voltage (Nom) | 100-240 V |

| Temperature | |
|----------------------|-------|
| T-Case Maximum (Nom) | 65 °C |

| Controls and Dimming | |
|----------------------|----|
| Dimmable | No |

| Mechanical and Housing | |
|------------------------|------|
| Bulb Shape | MR16 |

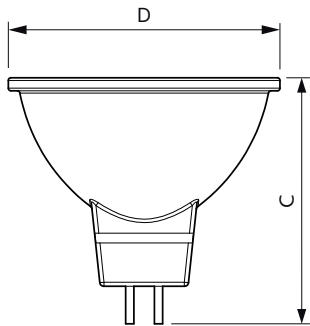
| Approval and Application | |
|-------------------------------|-------|
| Suitable For Accent Lighting | Yes |
| Energy Consumption kWh/1000 h | - kWh |

Essential LEDspot MR16

| Product Data | |
|--------------------|--|
| Order product name | ESS LED MR16 4.5-50W 36D 830 SO 100-240V |
| Full product name | ESS LED MR16 4.5-50W 36D 830 SO 100-240V |
| Full product code | 871869681163400 |
| Order code | 929001874012 |

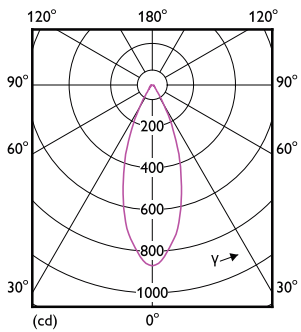
| | |
|---------------------------------|----------------|
| Material Nr. (12NC) | 929001874012 |
| Numerator - Quantity Per Pack | 1 |
| EAN/UPC - Product/Case | 046677535018 |
| Numerator - Packs per outer box | 10 |
| EAN/UPC - Case | 50046677535013 |

Dimensional drawing

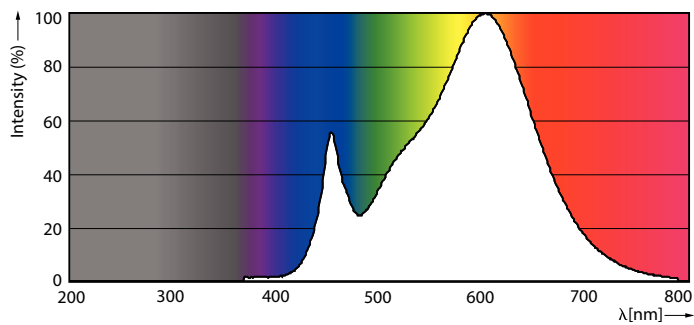


| Product | D | C |
|--|---------|---------|
| ESS LED MR16 4.5-50W 36D 830 SO 100-240V | 50.5 mm | 46.5 mm |

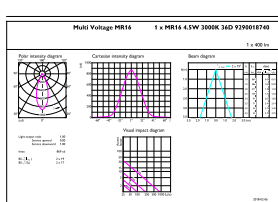
Photometric data



Light Distribution Diagram - ESS LED MR16 4.5-50W 36D 830 SO 100-240V



Spectral Power Distribution Colour - ESS LED MR16 4.5-50W 36D 830 SO 100-240V

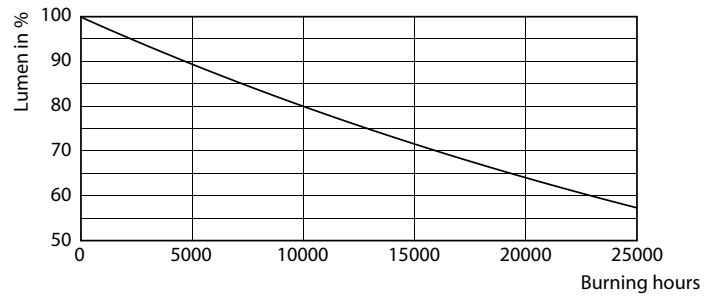
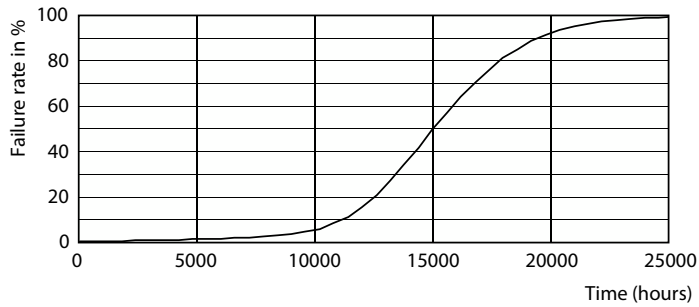


Accent Lighting - Spots

Accent Lighting Spots - ESS LED MR16 4.5-50W 36D 830 SO 100-240V

Essential LEDspot MR16

Lifetime



Life Expectancy Diagram - ESS LED MR16 4.5-50W 36D 830 SO 100-240V

Lumen Maintenance Diagram - ESS LED MR16 4.5-50W 36D 830 SO 100-240V

