



Essential LEDSpot MR16

ESS LED MR16 4.5-50W 36D 865 SO 100-240V

Essential LEDspots MR16 are compatible with most existing fixtures with a GU5.3 socket and are designed as a retrofit replacement for halogen spots. Essential LEDspots MR16 deliver significant energy savings and minimise the initial investment.

Product data

General Information	
Cap base	GU5.3 [GU5.3]
Nominal lifetime (nom.)	15000 h
Switching cycle	50000X
Technical type	4.5-50W
Light Technical	
Colour Code	865 [CCT of 6500K]
Beam Angle (Nom)	36 °
Lamp Luminous Flux 25°C EL (Nom)	400 lm
Lamp Luminous Flux (Nom)	400 lm
Luminous intensity (nom.)	700 cd
Colour Designation	Cool Daylight
Rated beam angle	36 °
Colour Temperature, horizontal (Nom)	6500 K
Lamp Luminous Efficacy EM (Nom)	88.00 lm/W
Colour consistency	<6
Colour Rendering Index,horiz (Nom)	80
LLMF at end of nominal lifetime (nom.)	70 %

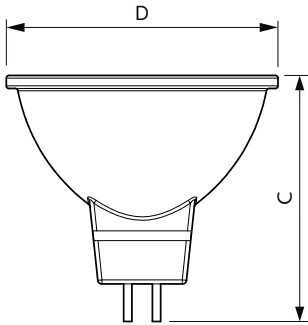
Operating and Electrical	
Input frequency	50 to 60 Hz
Power (Rated) (Nom)	4.5 W
Lamp current (max.)	77 mA
Lamp current (min.)	43 mA
Wattage equivalent	50 W
Starting time (nom.)	0.5 s
Warm-up time to 60% light (nom.)	0.5 s
Power factor (nom.)	0.4
Voltage (Nom)	100-240 V
Temperature	
T-Case maximum (nom.)	65 °C
Controls and Dimming	
Dimmable	No
Approval and Application	
Suitable for accent lighting	Yes
Energy efficiency label (EEL)	A+

Essential LEDSpot MR16

Energy Consumption kWh/1000 h	4.5 kWh
Product Data	
Full product code	871869680921100
Order product name	ESS LED MR16 4.5-50W 36D 865 SO 100-240V
EAN/UPC – product	8718696809211
Order code	929001874108

Numerator – quantity per pack	1
Numerator – packs per outer box	10
Material no. (12NC)	929001874108
Net weight (piece)	0.038 kg

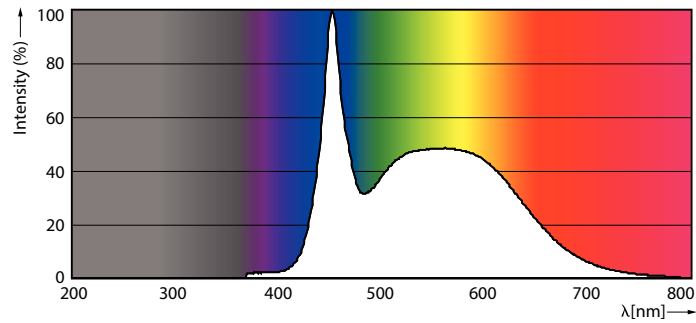
Dimensional drawing



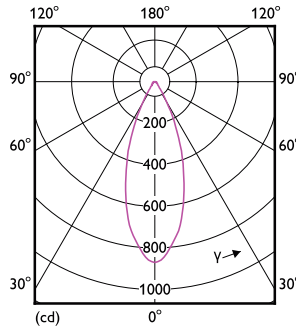
MR16 100-240V 4.5W-W 400lm 6500K GU5.3

Product	D	C
ESS LED MR16 4.5-50W 36D 865 SO 100-240V	50.5 mm	46.5 mm

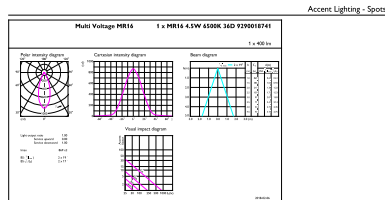
Photometric data



50W GU5-3 MR16

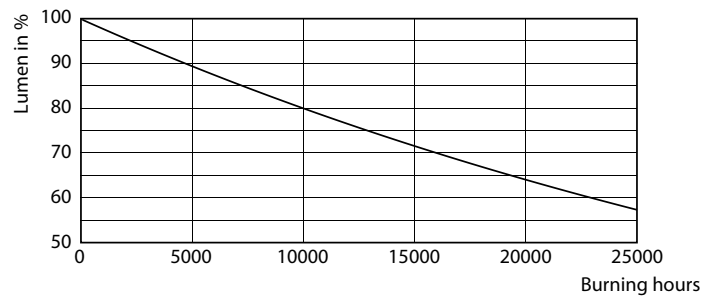
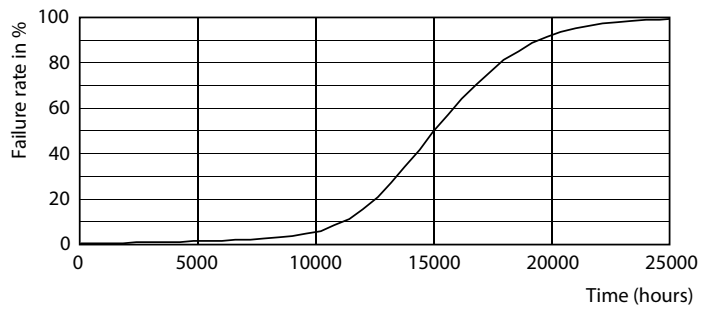


50W GU5-3 MR16 36D 830 3000K



Essential LEDSpot MR16

Lifetime



50W GU5-3 MR16

50W GU5-3 MR16

