



Essential LEDSpot MR16

ESS LED MR16 3-35W 36D 830 SO 100-240V

Essential LEDspots MR16 are compatible with most existing fixtures with a GU5.3 socket and are designed as a retrofit replacement for halogen spots. Essential LEDspots MR16 deliver significant energy savings and minimise the initial investment.

Product data

General Information	
Cap base	GU5.3 [GU5.3]
Nominal lifetime (nom.)	15000 h
Switching cycle	50000X
Technical type	3-35W
Light Technical	
Colour Code	830 [CCT of 3000K]
Technical Beam Angle (Nom)	36 °
Lamp Luminous Flux 25°C EL (Nom)	230 lm
Lamp Luminous Flux (Nom)	230 lm
Luminous intensity (nom.)	550 cd
Colour Designation	White (WH)
Rated beam angle	36 °
Colour Temperature, horizontal (Nom)	3000 K
Lamp Luminous Efficacy EM (Nom)	76.00 lm/W
Colour consistency	<6
Colour Rendering Index,horiz (Nom)	80
LLMF at end of nominal lifetime (nom.)	70 %

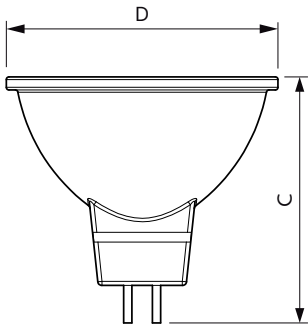
Operating and Electrical	
Input frequency	50 to 60 Hz
Power (Rated) (Nom)	3 W
Lamp current (max.)	46 mA
Lamp current (min.)	28 mA
Wattage equivalent	35 W
Starting time (nom.)	0.5 s
Warm-up time to 60% light (nom.)	0.5 s
Power factor (nom.)	0.4
Voltage (Nom)	100-240 V
Temperature	
T-Case maximum (nom.)	55 °C
Controls and Dimming	
Dimmable	No
Approval and Application	
Energy efficiency label (EEL)	A+
Suitable for accent lighting	Yes

Essential LEDSpot MR16

Energy Consumption kWh/1000 h	3 kWh
Product Data	
Full product code	871869680915000
Order product name	ESS LED MR16 3-35W 36D 830 SO 100-240V
EAN/UPC – product	8718696809150
Order code	929001874208

Numerator – quantity per pack	1
Numerator – packs per outer box	10
Material no. (12NC)	929001874208
Net weight (piece)	0.040 kg

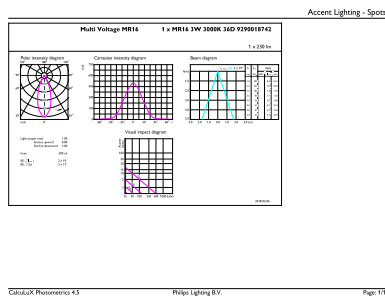
Dimensional drawing



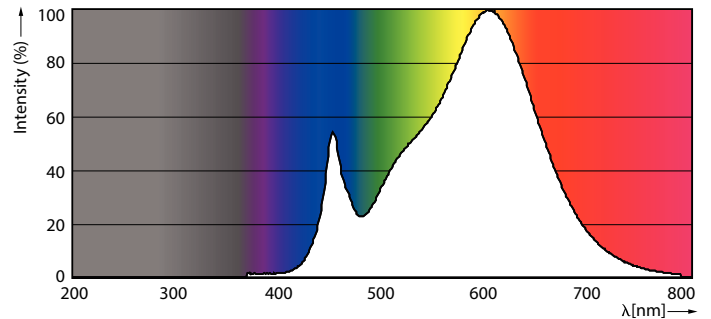
MR16 100-240V 3W-W 230lm 3000K GU5.3

Product	D	C
ESS LED MR16 3-35W 36D 830 SO 100-240V	50.5 mm	46.5 mm

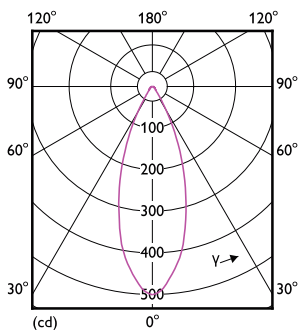
Photometric data



3-35W GU5-3 MR16 36D 830 3000K



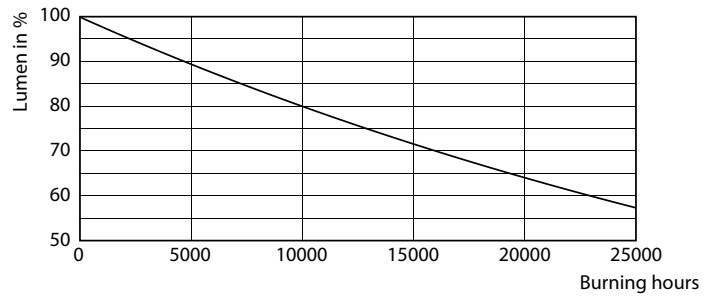
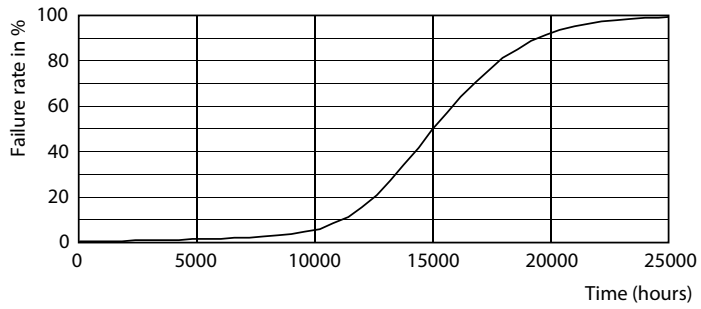
3-35W GU5-3 MR16



3-35W GU5-3 MR16 36D 865 6500K

Essential LEDSpot MR16

Lifetime



50W GU5-3 MR16

50W GU5-3 MR16

