



MASTER LEDspot LV

MASTER LED 7-50W 927 MR16 24D Dim

Delivering an intense accent beam, the MASTER LEDspot LV is an ideal retrofit solution for spot-lighting. The MASTER LEDspot LV is designed to replace halogen or incandescent spots. It achieves natural colours, enables cosy and comfortable ambience for residential and hospitality usage, and emphasises the beauty of merchandise in retail. A new smaller housing provides perfect fitting with the majority of luminaires on the market with a MR16 GU 5.3 holder. It not only employs Philips's patented solution to guarantee the broadest possible compatibility with standard 12 V halogen electronic transformers, it also delivers high beam intensity which is equivalent to halogen MR16 spots. The dimming function enables users to create the desired atmosphere and it works with broad selection of dimmers. Its high SDCM ensures stricter colour consistency, that is maintained over product life. The MASTER LEDspot LV delivers huge energy savings and minimises maintenance costs without any compromise on light quality and lifetime, enabling residential and business owners to achieve a return on their investment within a short time period.

Product data

General Information	
Cap base	GU5.3 [GU5.3]
RoHS mark	RoHS mark
Nominal lifetime (nom.)	40000 h
Switching cycle	50000X
Technical type	7-50W
Light Technical	
Colour Code	927
Technical Beam Angle (Nom)	24°
Lamp Luminous Flux 25°C EL (Nom)	500 lm
Lamp Luminous Flux (Nom)	500 lm
Luminous intensity (nom.)	2500 cd

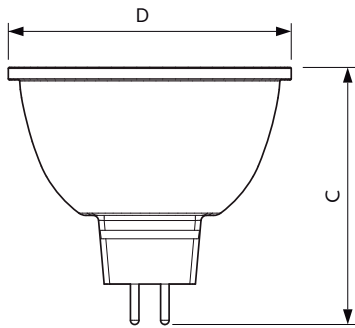
Colour Designation	Warm white (WW)
Rated beam angle	24°
Colour Temperature, horizontal (Nom)	2700 K
Lamp Luminous Efficacy EM (Nom)	71.00 lm/W
Colour consistency	<4
Colour Rendering Index,horiz (Nom)	90
LLMF at end of nominal lifetime (nom.)	70 %
Operating and Electrical	
Power (Rated) (Nom)	7 W
Lamp current (nom.)	830 mA
Wattage equivalent	50 W
Starting time (nom.)	0.5 s

MASTER LEDspot LV

Warm-up time to 60% light (nom.)	0.5 s
Power factor (nom.)	0.7
Voltage (Nom)	12 V
Temperature	
T-Case maximum (nom.)	90 °C
Controls and Dimming	
Dimmable	Yes
Approval and Application	
Energy efficiency label (EEL)	A
Suitable for accent lighting	Yes
Energy Consumption kWh/1000 h	8 kWh

Product Data	
Full product code	871869681193100
Order product name	MASTER LED 7-50W 927 MR16 24D Dim
EAN/UPC – product	8718696811931
Order code	929001879808
Local Code	MLED7W92724D
Numerator – quantity per pack	1
Numerator – packs per outer box	10
Material no. (12NC)	929001879808
Net weight (piece)	0.052 kg

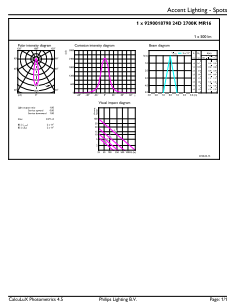
Dimensional drawing



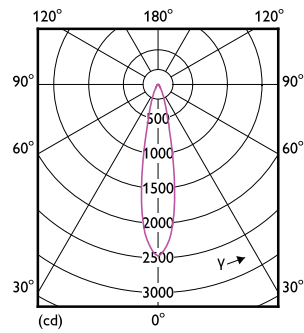
MR16 12V 7-35W 400lm 24D 2700K GU5.3 D

Product	D	C
MASTER LED 7-50W 927 MR16 24D Dim	50.5 mm	46.5 mm

Photometric data



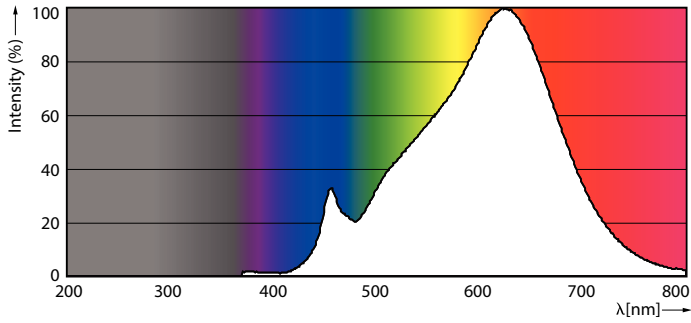
7-50W GU5-3 MR16 24D 927 2700K



7-50W GU5-3 MR16 24D 927 2700K

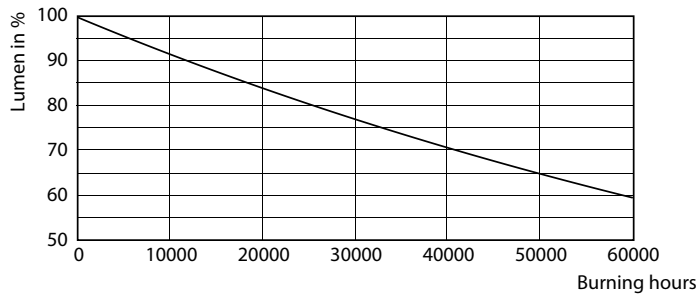
MASTER LEDspot LV

Photometric data

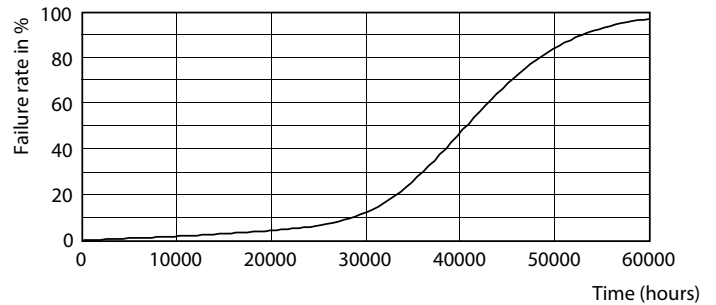


7-50W GU5-3 MR16

Lifetime



7-50W GU5-3 MR16



7-50W GU5-3 MR16

