



MASTER LEDspot LV

MASTER LED 7-50W 940 MR16 36D Dim

Delivering an intense accent beam, the MASTER LEDspot LV is an ideal retrofit solution for spot-lighting. The MASTER LEDspot LV is designed to replace halogen or incandescent spots. It achieves natural colours, enables cosy and comfortable ambience for residential and hospitality usage, and emphasises the beauty of merchandise in retail. A new smaller housing provides perfect fitting with the majority of luminaires on the market with a MR16 GU 5.3 holder. It not only employs Philips's patented solution to guarantee the broadest possible compatibility with standard 12 V halogen electronic transformers, it also delivers high beam intensity which is equivalent to halogen MR16 spots. The dimming function enables users to create the desired atmosphere and it works with broad selection of dimmers. Its high SDCM ensures stricter colour consistency, that is maintained over product life. The MASTER LEDspot LV delivers huge energy savings and minimises maintenance costs without any compromise on light quality and lifetime, enabling residential and business owners to achieve a return on their investment within a short time period.

Product data

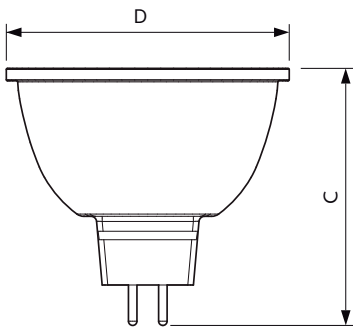
General Information		Operating and Electrical	
Cap base	GU5.3 [GU5.3]	Correlated Colour Temperature (Nom)	4000 K
EU RoHS compliant	Yes	Luminous efficacy (rated) (nom.)	75.00 lm/W
Nominal lifetime (nom.)	40000 h	Colour consistency	<4
Switching cycle	50,000X	Colour rendering index (nom.)	90
Technical type	7-50W	LLMF at end of nominal lifetime (nom.)	70 %
Light Technical		Input frequency	- Hz
Colour Code	940 [CCT of 4,000 K]	Power (Rated) (Nom)	7 W
Beam Angle (Nom)	36 °	Lamp current (nom.)	830 mA
Luminous flux (nom.)	530 lm	Wattage equivalent	50 W
Luminous intensity (nom.)	1500 cd	Starting time (nom.)	0.5 s
Colour designation	Cool White (CW)	Warm-up time to 60% light (nom.)	0.5 s

MASTER LEDspot LV

Power factor (nom.)	0.7
Voltage (Nom)	12 V
Temperature	
T-Case maximum (nom.)	90 °C
Controls and Dimming	
Dimmable	Yes
Mechanical and Housing	
Bulb shape	MR16 [2inch/50mm]
Approval and Application	
Suitable for accent lighting	Yes

Energy consumption kWh/1,000 hours	8 kWh
Product Data	
Full product code	871869681243300
Order product name	MASTER LED 7-50W 940 MR16 36D Dim
EAN/UPC – product	8718696812433
Order code	81243300
SAP numerator – quantity per pack	1
Numerator – packs per outer box	10
SAP material	929001880308
SAP net weight (piece)	0.052 kg

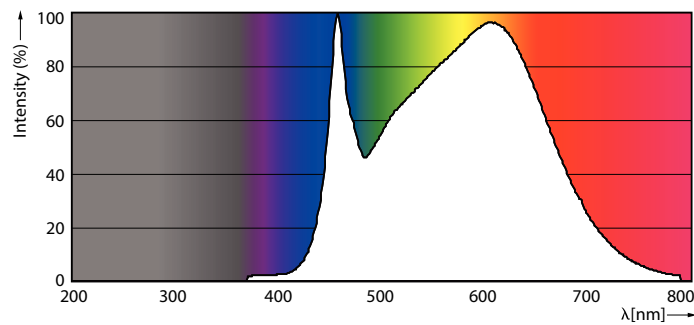
Dimensional drawing



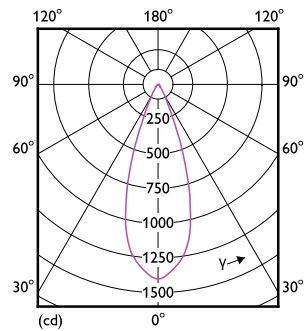
MASTER LED 7-50W 940 MR16 36D Dim

Product	D	C
MASTER LED 7-50W 940 MR16 36D Dim	50.5 mm	46.5 mm

Photometric data



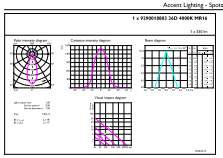
7-50W GU5-3 MR16



7-50W GU5-3 MR16 36D 940 4000K

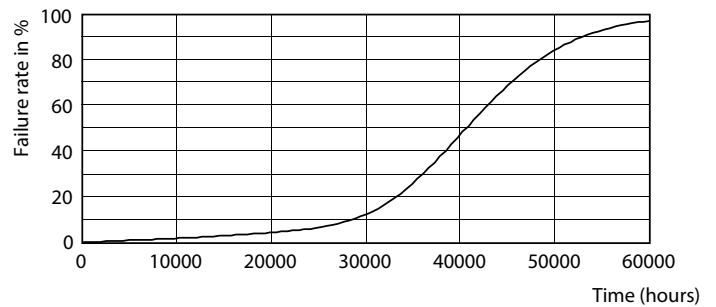
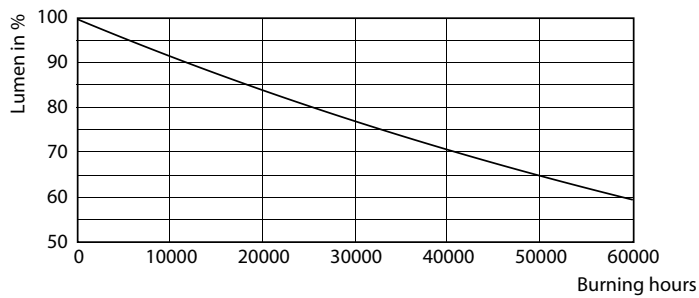
MASTER LEDspot LV

Photometric data



7-50W GU5-3 MR16 36D 940 4000K

Lifetime



7-50W GU5-3 MR16

7-50W GU5-3 MR16

