



MASTER LEDspot LV

MASTER LED 7-50W 930 MR16 60D Dim

Delivering intense accent beam, MASTER LEDspot LV is an ideal retrofit solution for spot lighting. MASTER LEDspot LV is designed to replace halogen or incandescent spots. It realizes natural colors, enables cozy and comfortable ambience for residential, hospitality and emphasizes the beauty of merchandise in retail. New smaller housing provides perfect fitting with majority of luminaires in a market with a MR16 GU 5.3 holder. It not only employs Philips' patented solution to guarantee the broadest possible compatibility with standard 12V halogen electronic transformers, it also delivers high beam intensity which is equivalent to halogen MR16 spots. The dimming function enables to create the desired atmosphere and it works with broad selection of dimmers. Its high SDCM ensure stricter color consistency, that is maintained over product life. MASTER LEDspot LV delivers huge energy savings and minimizes maintenance cost without any compromise on light quality and lifetime, enabling residential and business owners to achieve a return on their investment within short period time.

Product data

General Information		Operating and Electrical	
Cap-Base	GU5.3 [GU5.3]	Correlated Color Temperature (Nom)	3000 K
Nominal lifetime	40,000 h	Luminous Efficacy (rated) (Nom)	71.00 lm/W
Switching Cycle	50,000	Color Consistency	<4
Lighting Technology	LED	Color rendering index (CRI)	90
EU RoHS compliant	Yes	LLMF At End Of Nominal Lifetime (Nom)	70 %
Light Technical		Line Frequency	- Hz
Color Code	930 [CCT of 3000K]	Input Frequency	- Hz
Beam Angle (Nom)	60 degree(s)	Power Consumption	7 W
Luminous Flux	500 lm	Lamp Current (Nom)	830 mA
Luminous Intensity (Nom)	500 cd	Wattage Equivalent	50 W
Color Designation	White (WH)	Starting Time (Nom)	0.5 s

MASTER LEDspot LV

Warm-up time to 60% light	0.5 s
Power Factor (Fraction)	0.7
Voltage (Nom)	12 V

Temperature

T-Case Maximum (Nom)	90 °C
----------------------	-------

Controls and Dimming

Dimmable	Yes
----------	-----

Mechanical and Housing

Bulb Shape	MR16 [2inch/50mm]
------------	-------------------

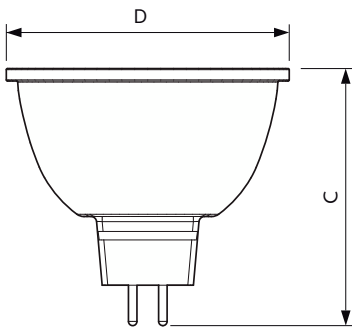
Approval and Application

Suitable For Accent Lighting	Yes
Energy Consumption kWh/1000 h	8 kWh

Product Data

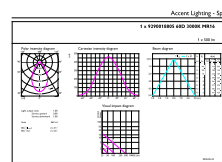
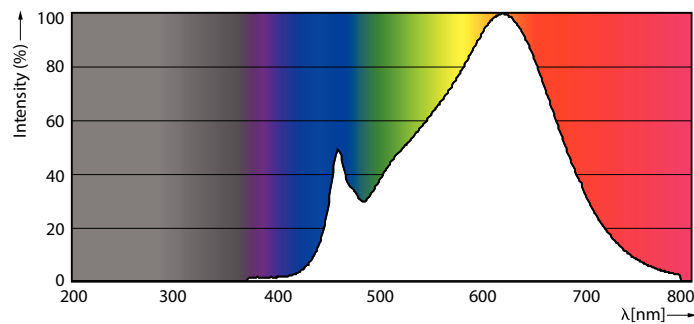
Order product name	MASTER LED 7-50W 930 MR16 60D Dim
Full product name	MASTER LED 7-50W 930 MR16 60D Dim
Full product code	871869682562400
Local code description	MLED7W93060D
Order code	929001880508
Material Nr. (12NC)	929001880508
Local order code	MLED7W93036D
Numerator - Quantity Per Pack	1
EAN/UPC - Product/Case	8718696825624
Numerator - Packs per outer box	10
EAN/UPC - Case	8718696825631

Dimensional drawing



Product	D	C
MASTER LED 7-50W 930 MR16 60D Dim	50.5 mm	46.5 mm

Photometric data

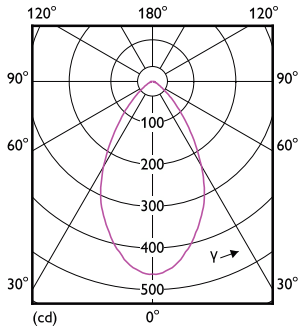


Spectral Power Distribution Colour - MASTER LED 7-50W 930 MR16 60D Dim

Accent Lighting Spots - MASTER LED 7-50W 930 MR16 60D Dim

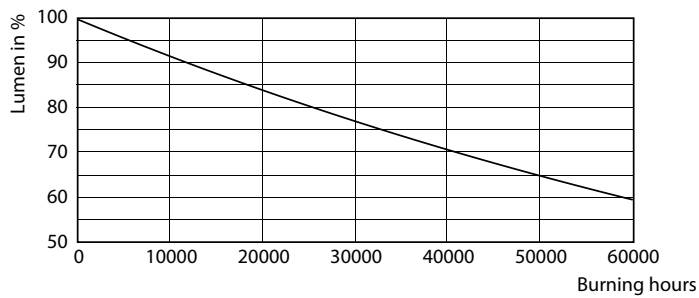
MASTER LEDspot LV

Photometric data

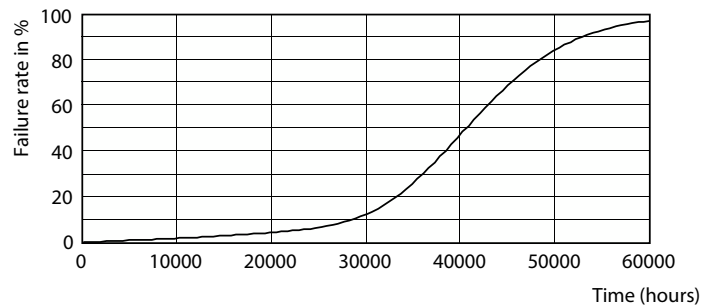


Light Distribution Diagram - MASTER LED 7-50W 930 MR16 60D Dim

Lifetime



Lumen Maintenance Diagram - MASTER LED 7-50W 930 MR16 60D Dim



Life Expectancy Diagram - MASTER LED 7-50W 930 MR16 60D Dim

