



LED MR16

7.3MR16/LED/830/F35/DIM 12V 10/1FB

Philips LED MR-16 lamps with single optic technology provide the look and color quality of traditional halogens while using a fraction of the energy. A perfect fit for spot lighting, they are compatible with most existing fixtures with MR16 GU5.3 holders and are designed as a retrofit replacement for halogen or incandescent spots.

Product data

General Information	
Cap-Base	GU5.3 [GU5.3]
RoHS mark	RoHS mark
Nominal Lifetime (Nom)	25000 h
Switching Cycle	50000X
Technical Type	7.3-50W
Light Technical	
Color Code	830 [CCT of 3000K]
Beam Angle (Nom)	35 °
Luminous Flux (Nom)	515 lm
Luminous Flux (Rated) (Nom)	515 lm
Luminous Intensity (Nom)	1350 cd
Color Designation	White (WH)
Rated Beam Angle	35 °
Correlated Color Temperature (Nom)	3000 K
Luminous Efficacy (rated) (Nom)	70.00 lm/W
Color Consistency	<4
Color Rendering Index (Nom)	80
LLMF At End Of Nominal Lifetime (Nom)	70 %

Operating and Electrical	
Power (Rated) (Nom)	7.3 W
Lamp Current (Nom)	830 mA
Starting Time (Nom)	0.5 s
Warm Up Time to 60% Light (Nom)	0.5 s
Power Factor (Nom)	0.7
Voltage (Nom)	ac electronic 12 V

Temperature	
T-Case Maximum (Nom)	90 °C

Controls and Dimming	
Dimmable	Yes

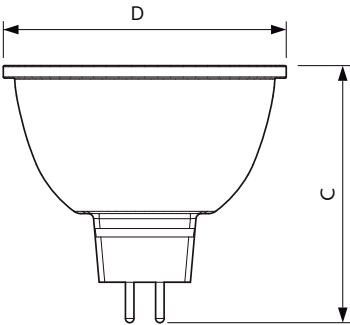
Approval and Application	
Suitable For Accent Lighting	Yes

Product Data	
Order product name	7.3MR16/LED/830/F35/DIM 12V 10/1FB
EAN/UPC - Product	046677533151
Order code	533158
Numerator - Quantity Per Pack	1

LED MR16

Numerator - Packs per outer box	10
Material Nr. (12NC)	929001881104
Net Weight (Piece)	0.050 kg

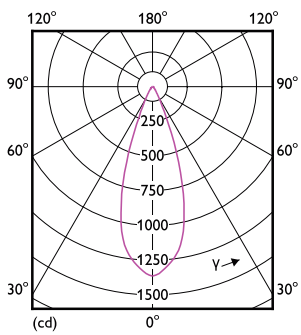
Dimensional drawing



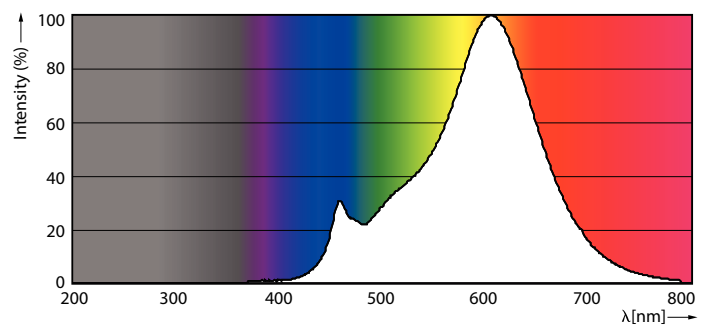
MR16 12V 7-35W 400lm 35D 3000K GU5.3 D

Product	D	C
7.3MR16/LED/830/F35/DIM 12V 10/1FB	50.5 mm	46.5 mm

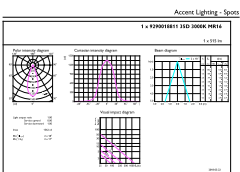
Photometric data



LEDspot 7.3W GU5.3 MR16 827 35D DIM



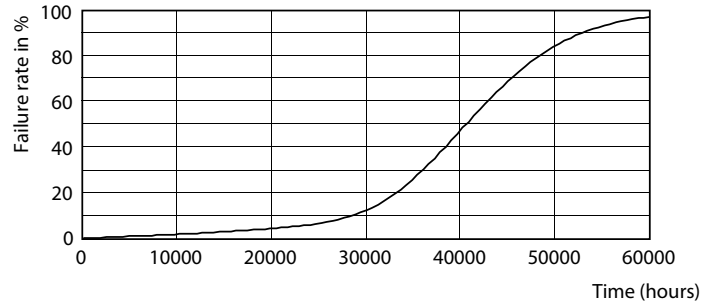
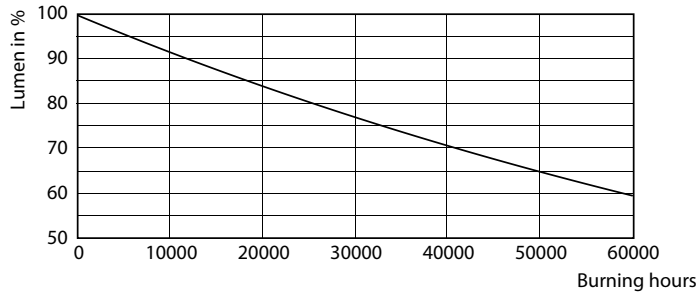
LEDspot 7.3W GU5.3 MR16 830 25-35D DIM



LEDspot 7.3W GU5.3 MR16 830 35D DIM

LED MR16

Lifetime



7-50W GU5-3 MR16

7-50W GU5-3 MR16

