



# MASTER LEDspot LV

## MASTER LED 8-50W+ 827 MR16 24D Dim

Delivering an intense accent beam, the MASTER LEDspot LV is an ideal retrofit solution for spot-lighting. The MASTER LEDspot LV is designed to replace halogen or incandescent spots. It achieves natural colours, enables cosy and comfortable ambience for residential and hospitality usage, and emphasises the beauty of merchandise in retail. A new smaller housing provides perfect fitting with the majority of luminaires on the market with a MR16 GU 5.3 holder. It not only employs Philips's patented solution to guarantee the broadest possible compatibility with standard 12 V halogen electronic transformers, it also delivers high beam intensity which is equivalent to halogen MR16 spots. The dimming function enables users to create the desired atmosphere and it works with broad selection of dimmers. Its high SDCM ensures stricter colour consistency, that is maintained over product life. The MASTER LEDspot LV delivers huge energy savings and minimises maintenance costs without any compromise on light quality and lifetime, enabling residential and business owners to achieve a return on their investment within a short time period.

### Product data

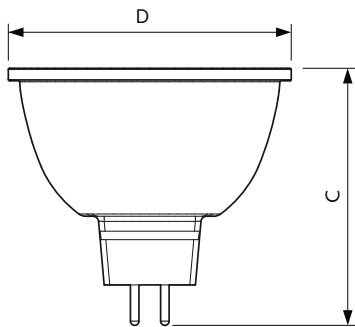
General Information		Colour designation	
Cap base	GU5.3 [ GU5.3]	Colour designation	Warm White (WW)
RoHS mark	RoHS mark	Rated beam angle	24 °
Nominal lifetime (nom.)	40000 h	Correlated colour temperature (nom.)	2700 K
Switching cycle	50000X	Luminous efficacy (rated) (nom.)	82.00 lm/W
Technical type	8-50W	Colour consistency	<4
		Color rendering index (nom.)	80
		LLMF at end of nominal lifetime (nom.)	70 %
Light Technical		Operating and Electrical	
Colour code	827 [ CCT of 2,700 K]	Power (Rated) (Nom)	8 W
Beam Angle (Nom)	24 °	Lamp current (nom.)	960 mA
Luminous flux (nom.)	660 lm	Wattage equivalent	50 W
Luminous flux (rated) (nom.)	660 lm	Starting time (nom.)	0.5 s
Luminous intensity (nom.)	3100 cd		

# MASTER LEDspot LV

Warm-up time to 60% light (nom.)	0.5 s
Power factor (nom.)	0.7
Voltage (Nom)	12 V
<b>Temperature</b>	
T-Case maximum (nom.)	100 °C
<b>Controls and Dimming</b>	
Dimmable	Yes
<b>Approval and Application</b>	
Energy efficiency label (EEL)	A+
Suitable for accent lighting	Yes

Energy Consumption kWh/1000 h	9 kWh
<b>Product Data</b>	
Full product code	871869681255600
Order product name	MASTER LED 8-50W+ 827 MR16 24D Dim
EAN/UPC – product	8718696812556
Order code	81255600
Numerator – quantity per pack	1
Numerator – packs per outer box	10
Material no. (12NC)	929001881308
Net weight (piece)	0.052 kg

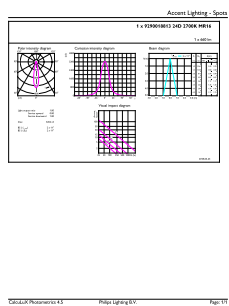
## Dimensional drawing



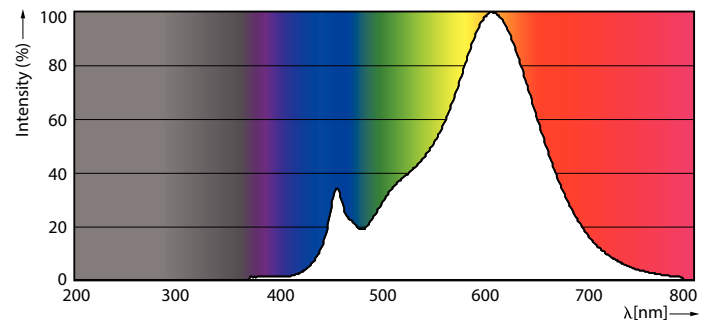
MR16 12V 8-50W 621lm 24D 2700K GU5.3 D

Product	D	C
MASTER LED 8-50W+ 827 MR16 24D Dim	50.5 mm	46.5 mm

## Photometric data



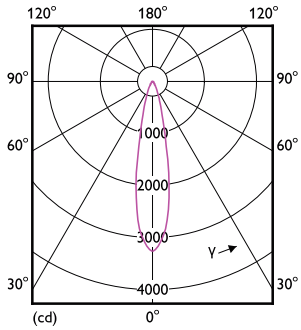
8-50W GU5-3 MR16 24D 827 2700K



8-50W GU5-3 MR16

# MASTER LEDspot LV

## Photometric data

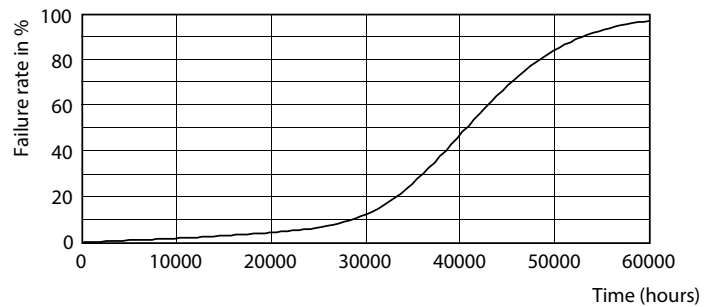


8-50W GU5-3 MR16 24D 827 2700K

## Lifetime



7-50W GU5-3 MR16



7-50W GU5-3 MR16

