



# LED MR16

## 8.5MR16/LED/830/F25/DIM 12V 10/1FB

Philips LED MR-16 lamps with single optic technology provide the look and color quality of traditional halogens while using a fraction of the energy. A perfect fit for spot lighting, they are compatible with most existing fixtures with MR16 GU5.3 holders and are designed as a retrofit replacement for halogen or incandescent spots.

### Product data

| General Information                   |                    |
|---------------------------------------|--------------------|
| Cap-Base                              | GU5.3 [GU5.3]      |
| Nominal lifetime                      | 25,000 hour(s)     |
| Switching Cycle                       | 50,000             |
| Lighting Technology                   | LED                |
| EU RoHS compliant                     | Yes                |
| Light Technical                       |                    |
| Color Code                            | 830 [CCT of 3000K] |
| Beam Angle (Nom)                      | 25 degree(s)       |
| Luminous Flux                         | 620 lm             |
| Luminous Intensity (Nom)              | 3,250 cd           |
| Color Designation                     | White (WH)         |
| Correlated Color Temperature (Nom)    | 3000 K             |
| Luminous Efficacy (rated) (Nom)       | 72.00 lm/W         |
| Color Consistency                     | <4                 |
| Color rendering index (CRI)           | 80                 |
| LLMF At End Of Nominal Lifetime (Nom) | 70 %               |
| Operating and Electrical              |                    |
| Line Frequency                        | - Hz               |
| Input Frequency                       | - Hz               |

|                           |                    |
|---------------------------|--------------------|
| Power Consumption         | 8.5 W              |
| Lamp Current (Nom)        | 960 mA             |
| Wattage Equivalent        | 50 W               |
| Starting Time (Nom)       | 0.5 s              |
| Warm-up time to 60% light | 0.5 s              |
| Power Factor (Fraction)   | 0.7                |
| Voltage (Nom)             | ac electronic 12 V |

| Temperature          |        |
|----------------------|--------|
| T-Case Maximum (Nom) | 100 °C |

| Controls and Dimming |     |
|----------------------|-----|
| Dimmable             | Yes |

| Mechanical and Housing |                   |
|------------------------|-------------------|
| Bulb Finish            | Clear             |
| Bulb Material          | Aluminum          |
| Bulb Shape             | MR16 [2inch/50mm] |

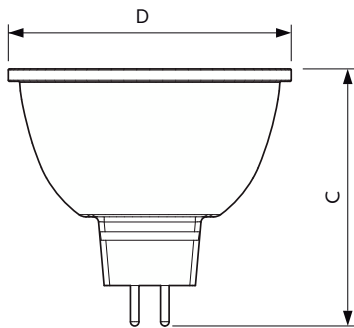
| Approval and Application     |     |
|------------------------------|-----|
| Suitable For Accent Lighting | Yes |

# LED MR16

|                               |                                    |
|-------------------------------|------------------------------------|
| Energy Consumption kWh/1000 h | - kWh                              |
| <b>Product Data</b>           |                                    |
| Order product name            | 8.5MR16/LED/830/F25/DIM 12V 10/1FB |
| Full product name             | 8.5MR16/LED/830/F25/DIM 12V 10/1FB |
| Order code                    | 533174                             |
| Material Nr. (12NC)           | 929001881404                       |

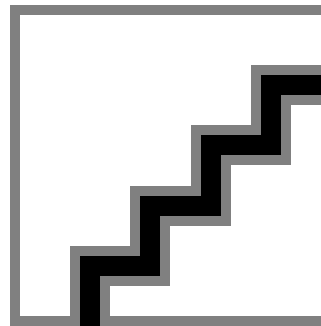
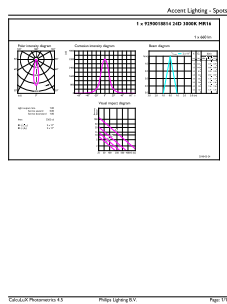
|                                 |                |
|---------------------------------|----------------|
| Numerator - Quantity Per Pack   | 1              |
| EAN/UPC - Product/Case          | 046677533175   |
| Numerator - Packs per outer box | 10             |
| EAN/UPC - Case                  | 50046677533170 |

## Dimensional drawing



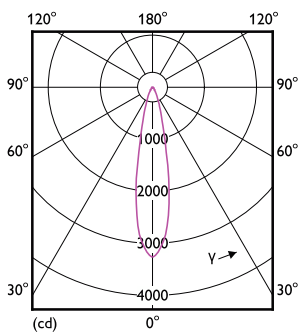
| Product                            | D       | C       |
|------------------------------------|---------|---------|
| 8.5MR16/LED/830/F25/DIM 12V 10/1FB | 50.5 mm | 46.5 mm |

## Photometric data



Accent Lighting Spots - 8.5MR16/LED/830/F25/DIM 12V 10/1FB

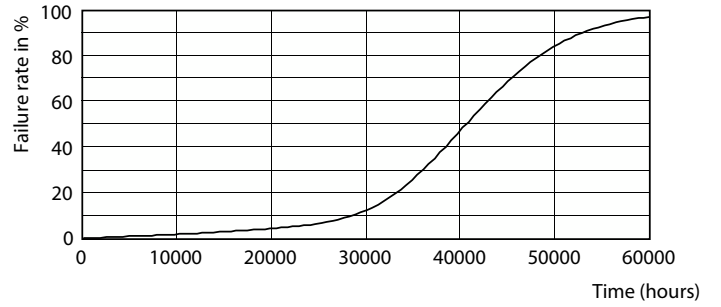
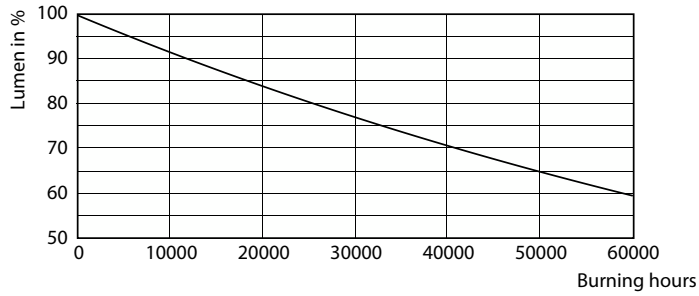
Spectral Power Distribution Colour - 8.5MR16/LED/830/F25/DIM 12V 10/1FB



Light Distribution Diagram - 8.5MR16/LED/830/F25/DIM 12V 10/1FB

# LED MR16

## Lifetime



Lumen Maintenance Diagram - 8.5MR16/LED/830/F25/DIM 12V 10/1FB

Life Expectancy Diagram - 8.5MR16/LED/830/F25/DIM 12V 10/1FB

