



MASTER LEDspot LV

MASTER LED 9-50W+ 827 MR16 36D Dim KR

Delivering intense accent beam, MASTER LEDspot LV is an ideal retrofit solution for spot lighting. MASTER LEDspot LV is designed to replace halogen or incandescent spots. It realizes natural colors, enables cozy and comfortable ambience for residential, hospitality and emphasizes the beauty of merchandise in retail. New smaller housing provides perfect fitting with majority of luminaires in a market with a MR16 GU 5.3 holder. It not only employs Philips' patented solution to guarantee the broadest possible compatibility with standard 12V halogen electronic transformers, it also delivers high beam intensity which is equivalent to halogen MR16 spots. The dimming function enables to create the desired atmosphere and it works with broad selection of dimmers. Its high SDCM ensure stricter color consistency, that is maintained over product life. MASTER LEDspot LV delivers huge energy savings and minimizes maintenance cost without any compromise on light quality and lifetime, enabling residential and business owners to achieve a return on their investment within short period time.

Product data

General Information	
Cap-Base	GU5.3 [GU5.3]
RoHS mark	RoHS mark
Nominal Lifetime (Nom)	40000 h
Switching Cycle	50000X
Technical Type	9-50W
Light Technical	
Color Code	827 [CCT of 2700K]
Beam Angle (Nom)	36 °
Luminous Flux (Nom)	660 lm
Luminous Flux (Rated) (Nom)	660 lm
Luminous Intensity (Nom)	1700 cd

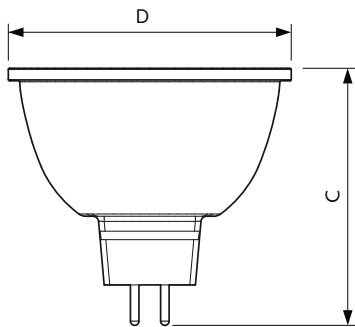
Color Designation	Warm White (WW)
Rated Beam Angle	36 °
Correlated Color Temperature (Nom)	2700 K
Luminous Efficacy (rated) (Nom)	73.00 lm/W
Color Consistency	<4
Color Rendering Index (Nom)	80
LLMF At End Of Nominal Lifetime (Nom)	70 %
Operating and Electrical	
Power (Rated) (Nom)	9 W
Lamp Current (Nom)	960 mA
Wattage Equivalent	50 W
Starting Time (Nom)	0.5 s

MASTER LEDspot LV

Warm Up Time to 60% Light (Nom)	0.5 s
Power Factor (Nom)	0.7
Voltage (Nom)	12 V
Temperature	
T-Case Maximum (Nom)	100 °C
Controls and Dimming	
Dimmable	Yes
Approval and Application	
Energy Efficiency Label (EEL)	A+
Suitable For Accent Lighting	Yes

Energy Consumption kWh/1000 h	9 kWh
Product Data	
Full product code	871869681315700
Order product name	MASTER LED 9-50W+ 827 MR16 36D Dim KR
EAN/UPC - Product	8718696813157
Order code	929001881638
Numerator - Quantity Per Pack	1
Numerator - Packs per outer box	10
Material Nr. (12NC)	929001881638
Net Weight (Piece)	0.052 kg

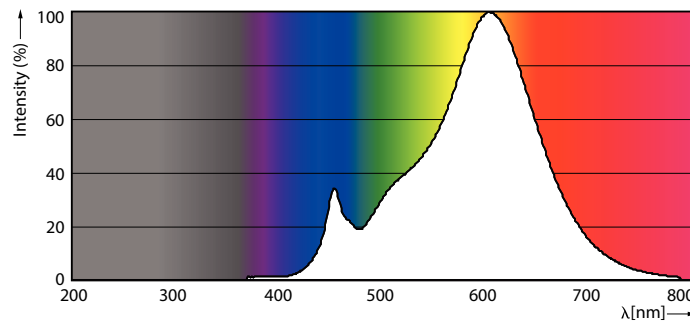
Dimensional drawing



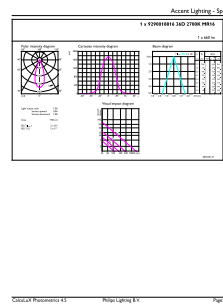
MR16 12V 8-50W 621lm 36D 2700K GU5.3 D

Product	D	C
MASTER LED 9-50W+ 827 MR16 36D Dim KR	50.5 mm	46.5 mm

Photometric data



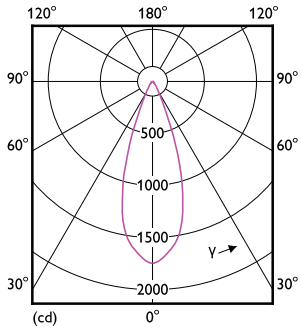
8-50W GU5-3 MR16



8-50W GU5-3 MR16 36D 827 2700K

MASTER LEDspot LV

Photometric data

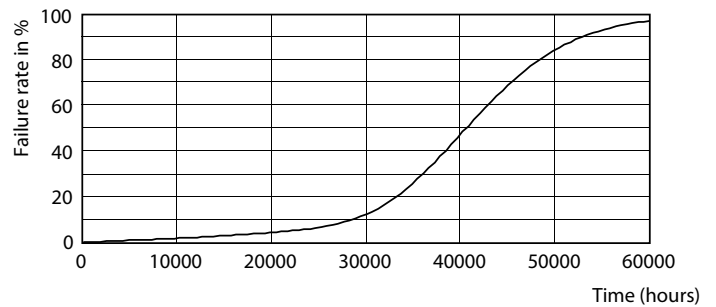


8-50W GU5-3 MR16 36D 827 2700K

Lifetime



7-50W GU5-3 MR16



7-50W GU5-3 MR16

