



LED MR16

8.5MR16/LED/830/F35/DIM 12V 10/1FB

Philips LED MR-16 lamps with single optic technology provide the look and color quality of traditional halogens while using a fraction of the energy. A perfect fit for spot lighting, they are compatible with most existing fixtures with MR16 GU5.3 holders and are designed as a retrofit replacement for halogen or incandescent spots.

Product data

| General Information | |
|---------------------------------------|---------------------|
| Cap-Base | GU5.3 [GU5.3] |
| RoHS mark | RoHS mark |
| Nominal Lifetime (Nom) | 25000 h |
| Switching Cycle | 50000X |
| Technical Type | 8.5-75W |
| Light Technical | |
| Color Code | 830 [CCT of 3000K] |
| Beam Angle (Nom) | 35 ° |
| Luminous Flux (Nom) | 620 lm |
| Luminous Flux (Rated) (Nom) | 620 lm |
| Luminous Intensity (Nom) | 1700 cd |
| Color Designation | White (WH) |
| Rated Beam Angle | 35 ° |
| Correlated Color Temperature (Nom) | 3000 K |
| Luminous Efficacy (rated) (Nom) | 72.00 lm/W |
| Color Consistency | <4 |
| Color Rendering Index (Nom) | 80 |
| LLMF At End Of Nominal Lifetime (Nom) | 70 % |

| Operating and Electrical | |
|---------------------------------|--------------------|
| Power (Rated) (Nom) | 8.5 W |
| Lamp Current (Nom) | 960 mA |
| Starting Time (Nom) | 0.5 s |
| Warm Up Time to 60% Light (Nom) | 0.5 s |
| Power Factor (Nom) | 0.7 |
| Voltage (Nom) | ac electronic 12 V |

| Temperature | |
|----------------------|--------|
| T-Case Maximum (Nom) | 100 °C |

| Controls and Dimming | |
|----------------------|-----|
| Dimmable | Yes |

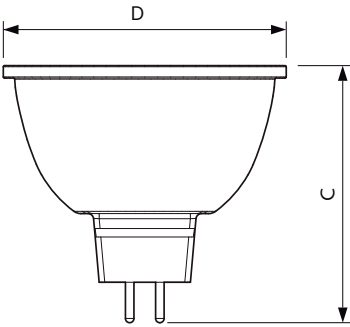
| Approval and Application | |
|------------------------------|-----|
| Suitable For Accent Lighting | Yes |

| Product Data | |
|-------------------------------|------------------------------------|
| Order product name | 8.5MR16/LED/830/F35/DIM 12V 10/1FB |
| EAN/UPC - Product | 046677533199 |
| Order code | 533190 |
| Numerator - Quantity Per Pack | 1 |

LED MR16

| | |
|---------------------------------|--------------|
| Numerator - Packs per outer box | 10 |
| Material Nr. (12NC) | 929001881704 |
| Net Weight (Piece) | 0.052 kg |

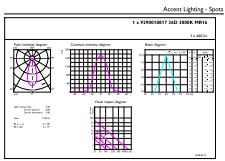
Dimensional drawing



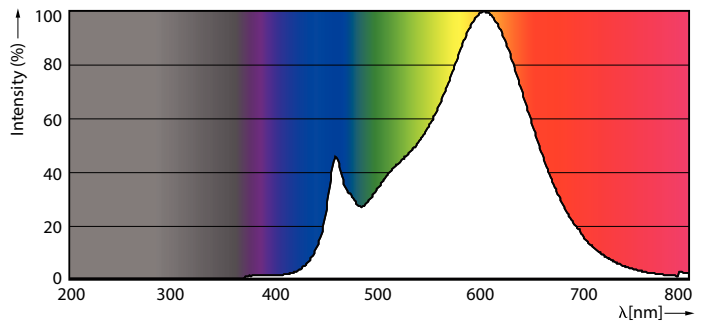
MR16 12V 8-50W 621lm 36D 3000K GU5.3 D

| Product | D | C |
|------------------------------------|---------|---------|
| 8.5MR16/LED/830/F35/DIM 12V 10/1FB | 50.5 mm | 46.5 mm |

Photometric data

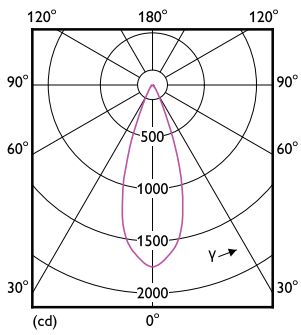


Access Lighting - Spots



8-50W GU5-3 MR16

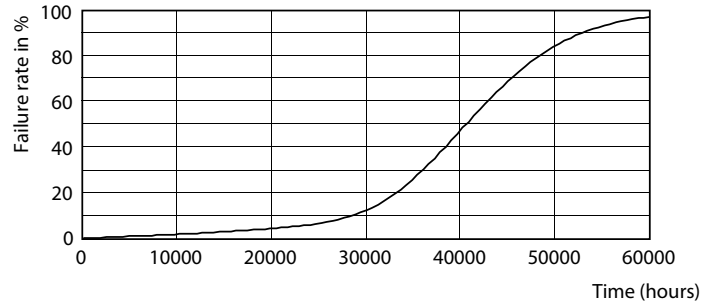
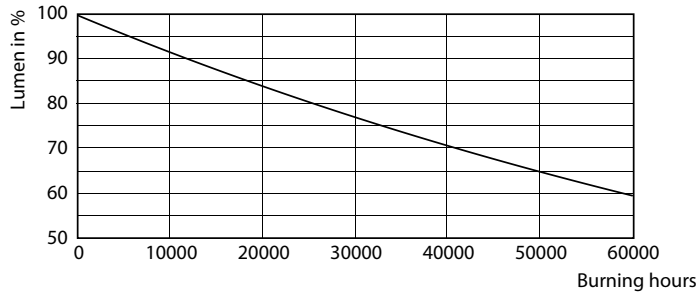
8-50W GU5-3 MR16 36D 830 3000K



8-50W GU5-3 MR16 36D 827 2700K

LED MR16

Lifetime



7-50W GU5-3 MR16

7-50W GU5-3 MR16

