



# MASTER LEDspot LV

## MASTER LED 6.5-50W 930 MR16 36D CN

Delivering intense accent beam, MASTER LEDspot LV is an ideal retrofit solution for spot lighting. MASTER LEDspot LV is designed to replace halogen or incandescent spots. It realizes natural colors, enables cozy and comfortable ambience for residential, hospitality and emphasizes the beauty of merchandise in retail. New smaller housing provides perfect fitting with majority of luminaires in a market with a MR16 GU 5.3 holder. It not only employs Philips' patented solution to guarantee the broadest possible compatibility with standard 12V halogen electronic transformers, it also delivers high beam intensity which is equivalent to halogen MR16 spots. The dimming function enables to create the desired atmosphere and it works with broad selection of dimmers. Its high SDCM ensure stricter color consistency, that is maintained over product life. MASTER LEDspot LV delivers huge energy savings and minimizes maintenance cost without any compromise on light quality and lifetime, enabling residential and business owners to achieve a return on their investment within short period time.

### Product data

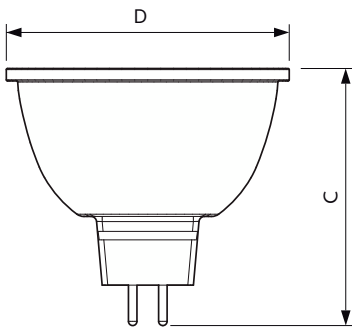
General Information		Operating and Electrical	
Cap-Base	GU5.3	Correlated Color Temperature (Nom)	3000 K
Nominal lifetime	40,000 hour(s)	Luminous Efficacy (rated) (Nom)	72.00 lm/W
Switching Cycle	50,000	Color Consistency	<4
Lighting Technology	LED	Color rendering index (CRI)	90
EU RoHS compliant	Yes	LLMF At End Of Nominal Lifetime (Nom)	70 %
Light Technical		Line Frequency	- Hz
Color Code	930 [CCT of 3000K]	Input Frequency	- Hz
Beam Angle (Nom)	36 degree(s)	Power Consumption	6.5 W
Luminous Flux	470 lm	Lamp Current (Nom)	720 mA
Luminous Intensity (Nom)	1,400 cd	Wattage Equivalent	50 W
Color Designation	White (WH)	Starting Time (Nom)	0.5 s

# MASTER LEDspot LV

Warm-up time to 60% light	0.5 s
Power Factor (Fraction)	0.7
Voltage (Nom)	12 V
<b>Temperature</b>	
T-Case Maximum (Nom)	90 °C
<b>Controls and Dimming</b>	
Dimmable	No
<b>Mechanical and Housing</b>	
Bulb Finish	Clear
Bulb Shape	MR16
<b>Approval and Application</b>	
Suitable For Accent Lighting	Yes

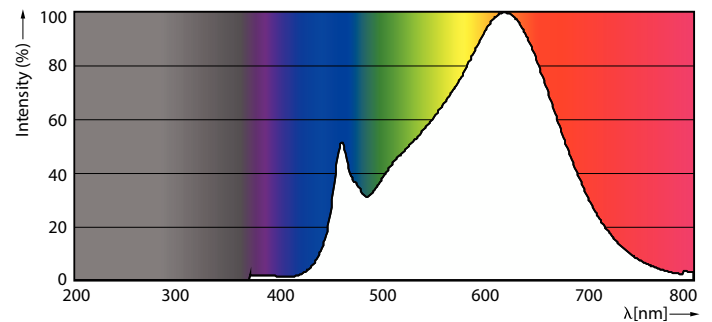
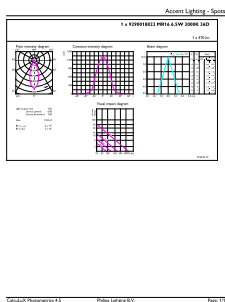
Energy Consumption kWh/1000 h	8 kWh
<b>Product Data</b>	
Order product name	MASTER LED 6.5-50W 930 MR16 36D CN
Full product name	MASTER LED 6.5-50W 930 MR16 36D CN
Full product code	692234190531500
Order code	929001882310
Material Nr. (12NC)	929001882310
Numerator - Quantity Per Pack	1
EAN/UPC - Product/Case	6922341905315
Numerator - Packs per outer box	10
EAN/UPC - Case	6922341905322

## Dimensional drawing



Product	D	C
MASTER LED 6.5-50W 930 MR16 36D CN	50.5 mm	46.5 mm

## Photometric data



Accent Lighting Spots - MASTER LED 6.5-50W 930 MR16 36D CN

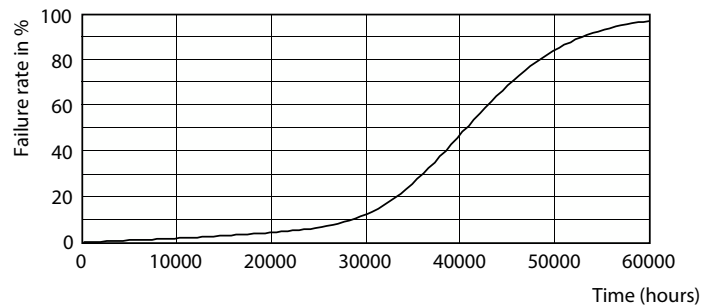
Spectral Power Distribution Colour - MASTER LED 6.5-50W 930 MR16 36D CN

# MASTER LEDspot LV

## Photometric data

### Light Distribution Diagram - MASTER LED 6.5-50W 930 MR16 36D CN

## Lifetime



### Lumen Maintenance Diagram - MASTER LED 6.5-50W 930 MR16 36D CN

### Life Expectancy Diagram - MASTER LED 6.5-50W 930 MR16 36D CN

